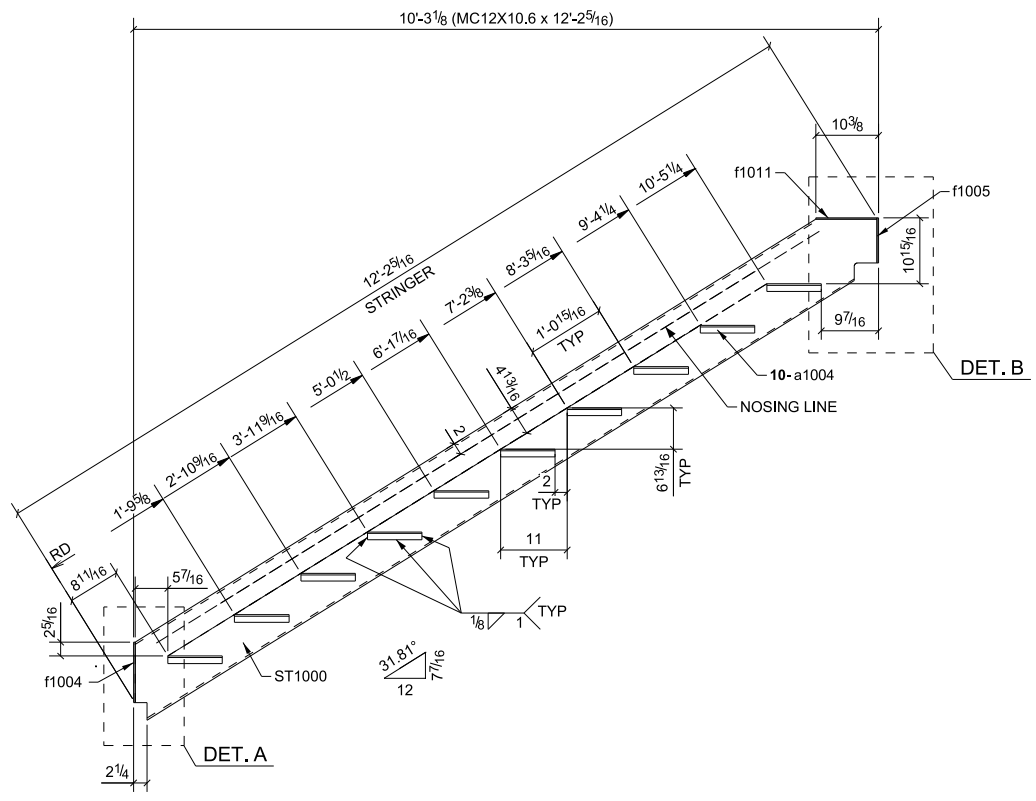
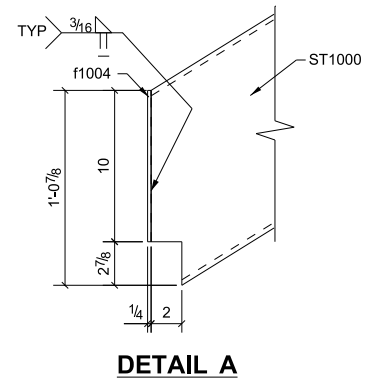


DETAIL OF ST1000

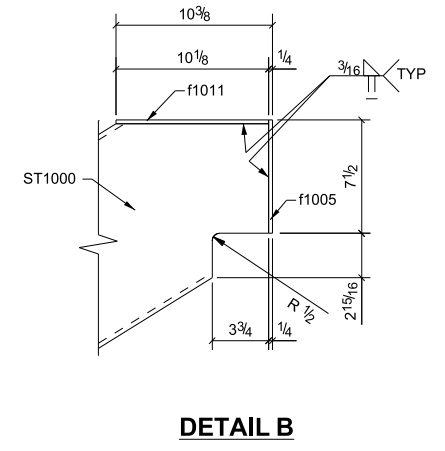
BILL OF MATERIAL					
MARK	QTY	DESCRIPTION	LENGTH	WEIGHT	REMARKS
ST1000	1	STRINGER			BEV-2
ST1000	1	MC12X10.6	12'-2 5/16"	129	A36
a1004	10	L1-1/4X1-1/4X1/4	0'-9"	14	A36
f1004	1	PL1/4"X1 1/2"	0'-10"	1	A36
f1005	1	PL1/4"X1 1/2"	0'-7 1/2"	1	A36
f1011	1	PL1/4"X1 1/2"	0'-10 1/8"	1	A36
TOTAL WEIGHT THIS DRAWING				146	



ONE - STRINGER - ST1000



DETAIL A



DETAIL B

For Quality Control Box

CUT: _____

FAB: _____

DECK: _____

WELD: _____

PRE PAINT: _____

QC: _____