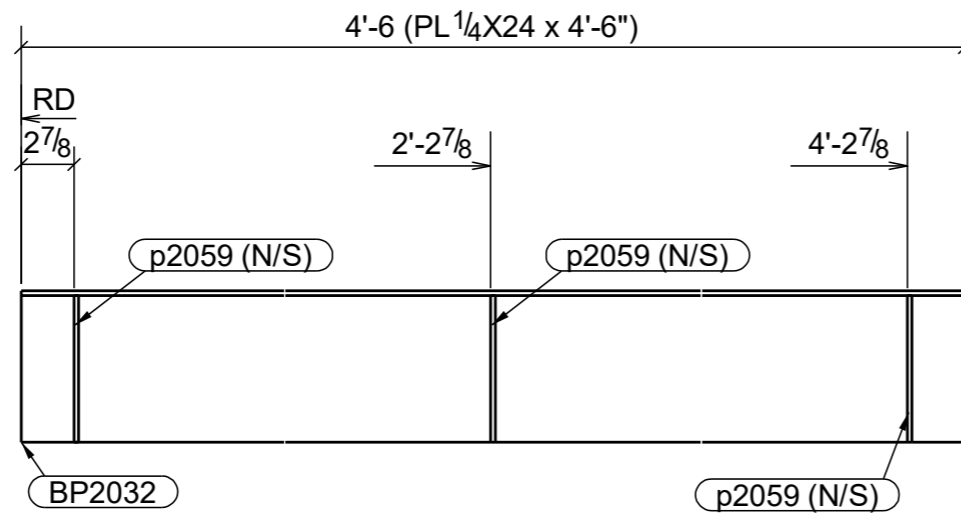
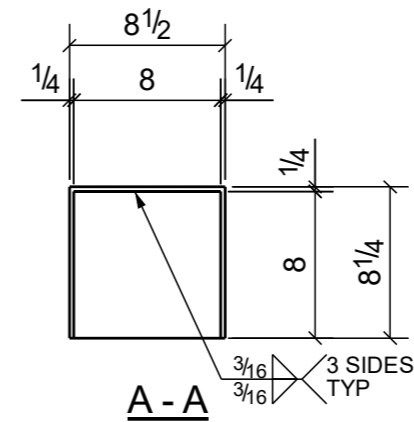


MATERIAL LIST

NOTES:	MARK	#PCS	MATERIAL	LENGTH	WEIGHT
SQ-2	BP2032	2	BENT PLATES		
	A36	BP2032	2	4'-6"	188
	A36	p2059	6	0'-8"	27
TOTAL WEIGHT THIS DRAWING					215



← A



← A

2 - BENT PLATES - BP2032