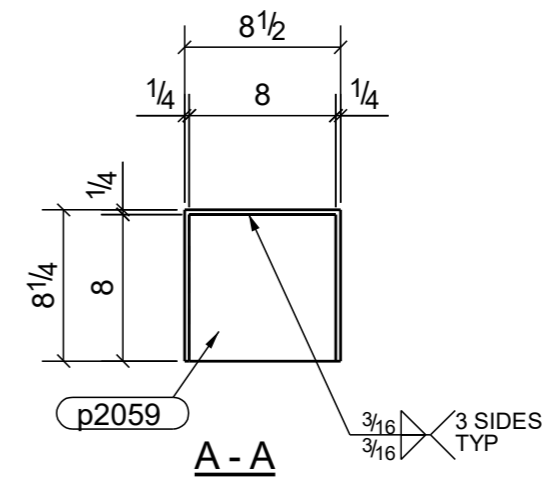
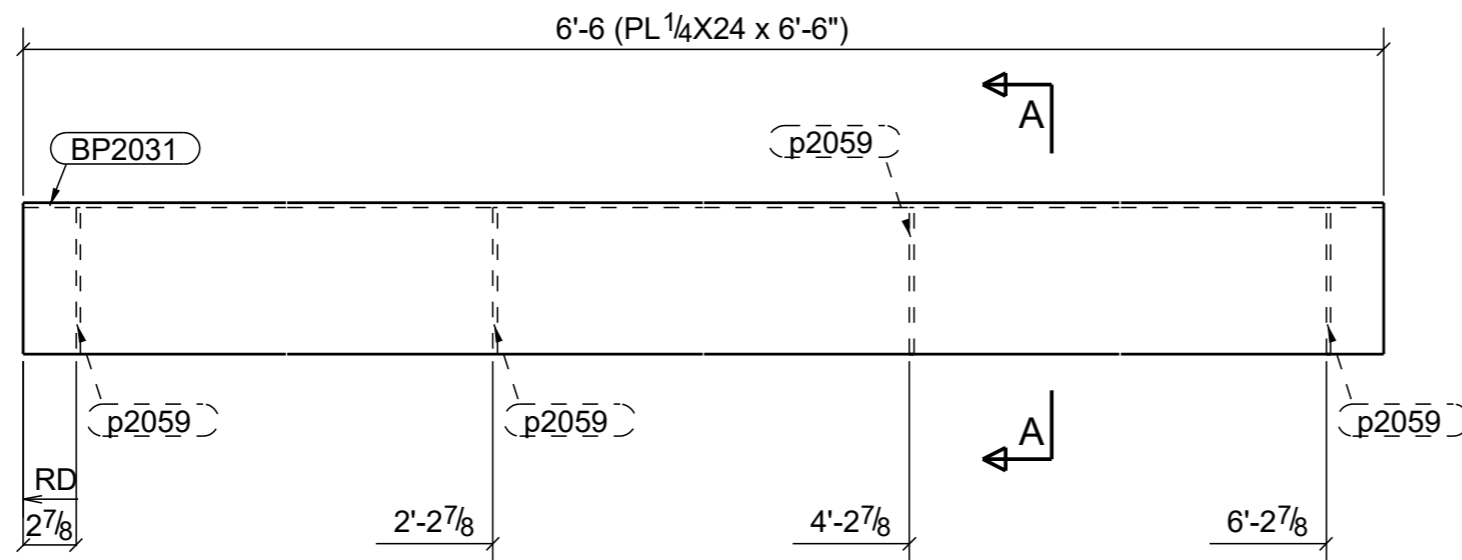


MATERIAL LIST

NOTES:	MARK	#PCS	MATERIAL	LENGTH	WEIGHT
SQ-2	BP2031	3	BENT PLATES		
	A36	BP2031	3	6'-6"	406
	A36	p2059	12	0'-8"	54
TOTAL WEIGHT THIS DRAWING					461



3 - BENT PLATES - BP2031