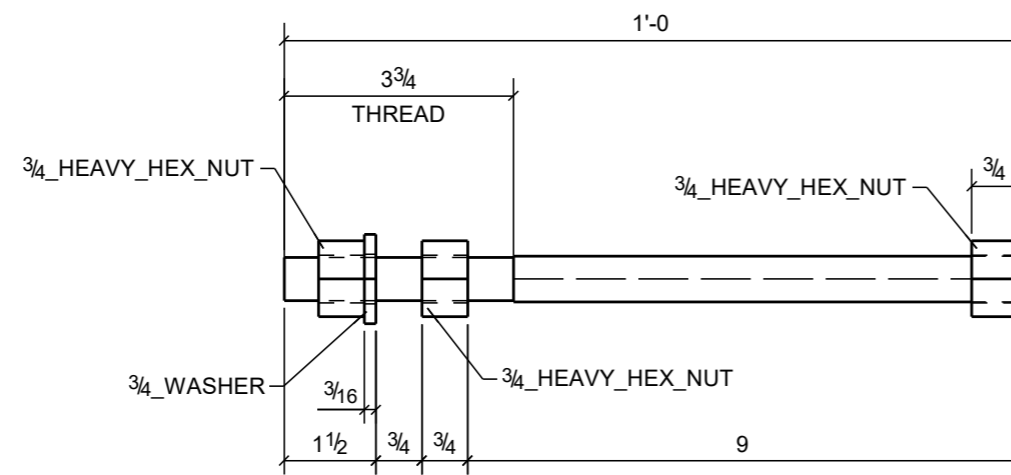


MATERIAL LIST

NOTES:	MARK	#PCS	MATERIAL	LENGTH	WEIGHT
SQ-2	AB100	72	ANCHOR RODS		
Red Oxide PrimeF1554-36	AB100	72	ROD3/4"	1'-0"	94
		216	3/4 HEAVY HEX NUT		40
		72	3/4 WASHER		5
			TOTAL WEIGHT THIS DRAWING		94



72 - ANCHOR RODS - AB100