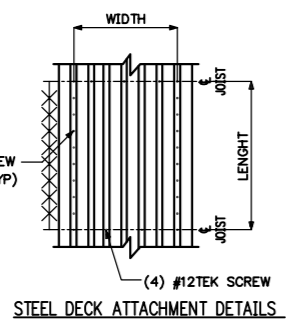


ROOF FRAMING PLAN

(SCALE: 1/4"=1'-0")
(T.O.S. EL. = 9'-1" U.N.)

STEEL DECK DETAILS :
DECK TYPE : 0.6C 28GAGE. G60 x 30" C.W.

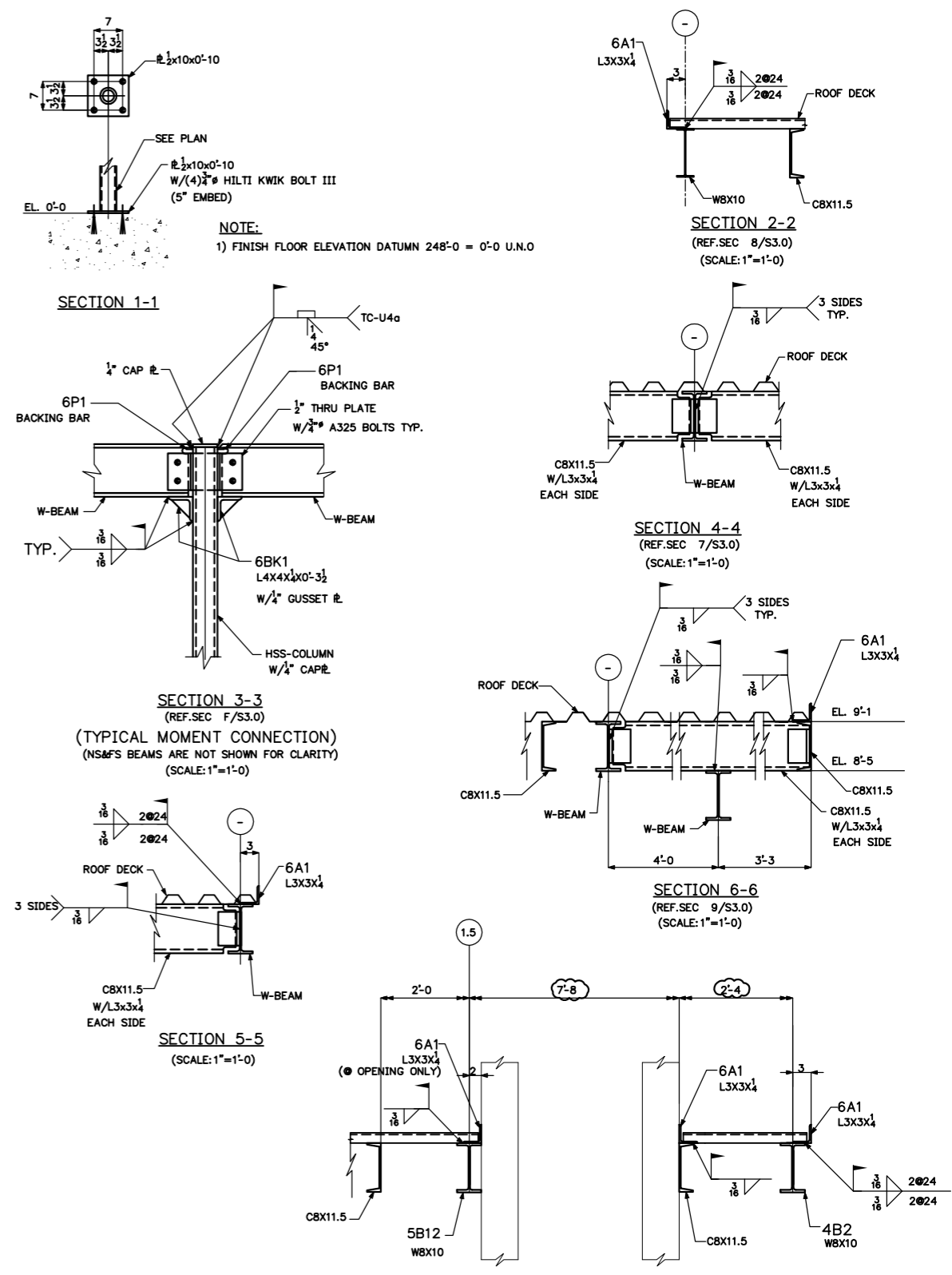


NOTES :

- 1) EL. SHOWN IN BRACKETS REPRESENT T/B EAM U.N.O.
- 2) ▶ INDICATES MOMENT CONNECTION.
- 3) APP. VERIFY DIMENSIONS WHERE ALL CLOUD IS SHOWN (TYP.).
- 4) APP. VERIFY CHANNEL ORIENTATION (TYP.).



PLAN NORTH
(SCALE : 1/4"=1'-0")



NOTE:
1) FINISH FLOOR ELEVATION DATUM = 248'-0" = 0'-0" U.N.O

FOR APPROVAL 06-14-13
REF S1.0,S2.0,S3.0