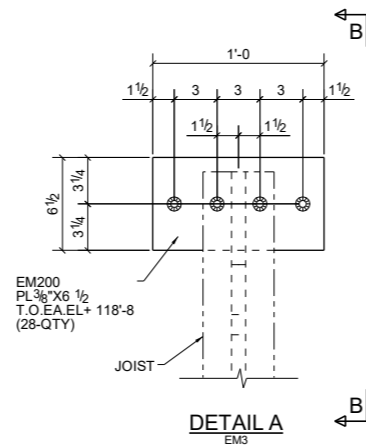
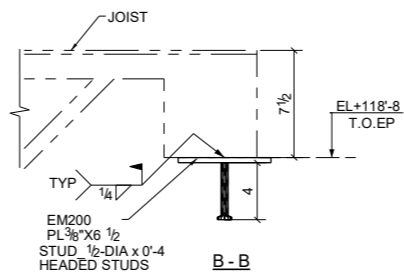


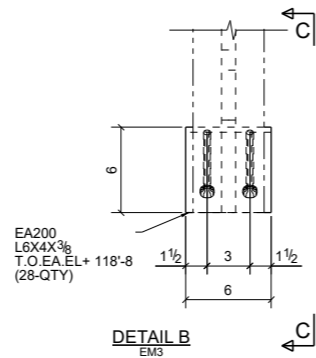
EMBED PLATE PLAN @EL+99'-6
REF DWG. NO. S2.2C



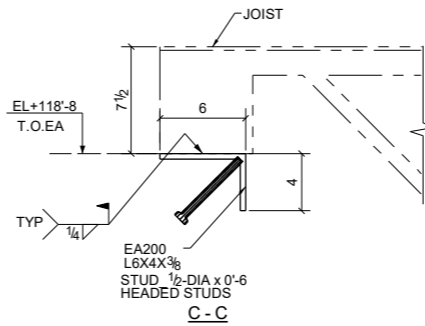
DETAIL A
EM3



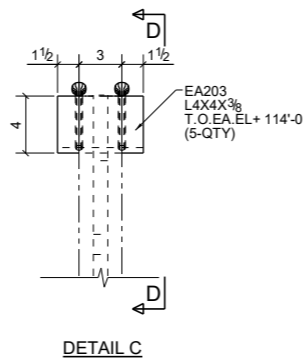
B - B



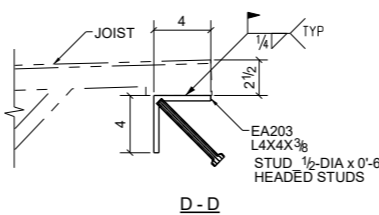
DETAIL B
EM3



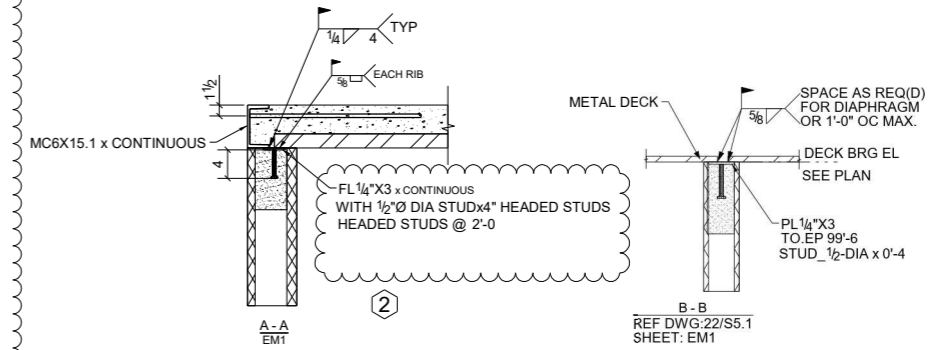
C - C



DETAIL C



D - D



A - A
EMT

B - B
REF DWG. 22/S5.1
SHEET. EM1

- LEGENDS:**
- T.O.S - TOP OF STEEL
 - T.O.EP - TOP OF EMBED PLATE
 - T.O.EA - TOP OF EMBED ANGLE
 - EL+ - ELEVATION
 - T.O.PL - TOP OF PLATE
 - T.O.A - TOP OF ANGLE

- APPROVER NOTE:**
- ① PLEASE VERIFY AND CONFIRM THE CLOUDED EMBED CONNECTION DETAILS
 - ② PLEASE VERIFY AND CONFIRM THE EMBED PLATE DETAILS