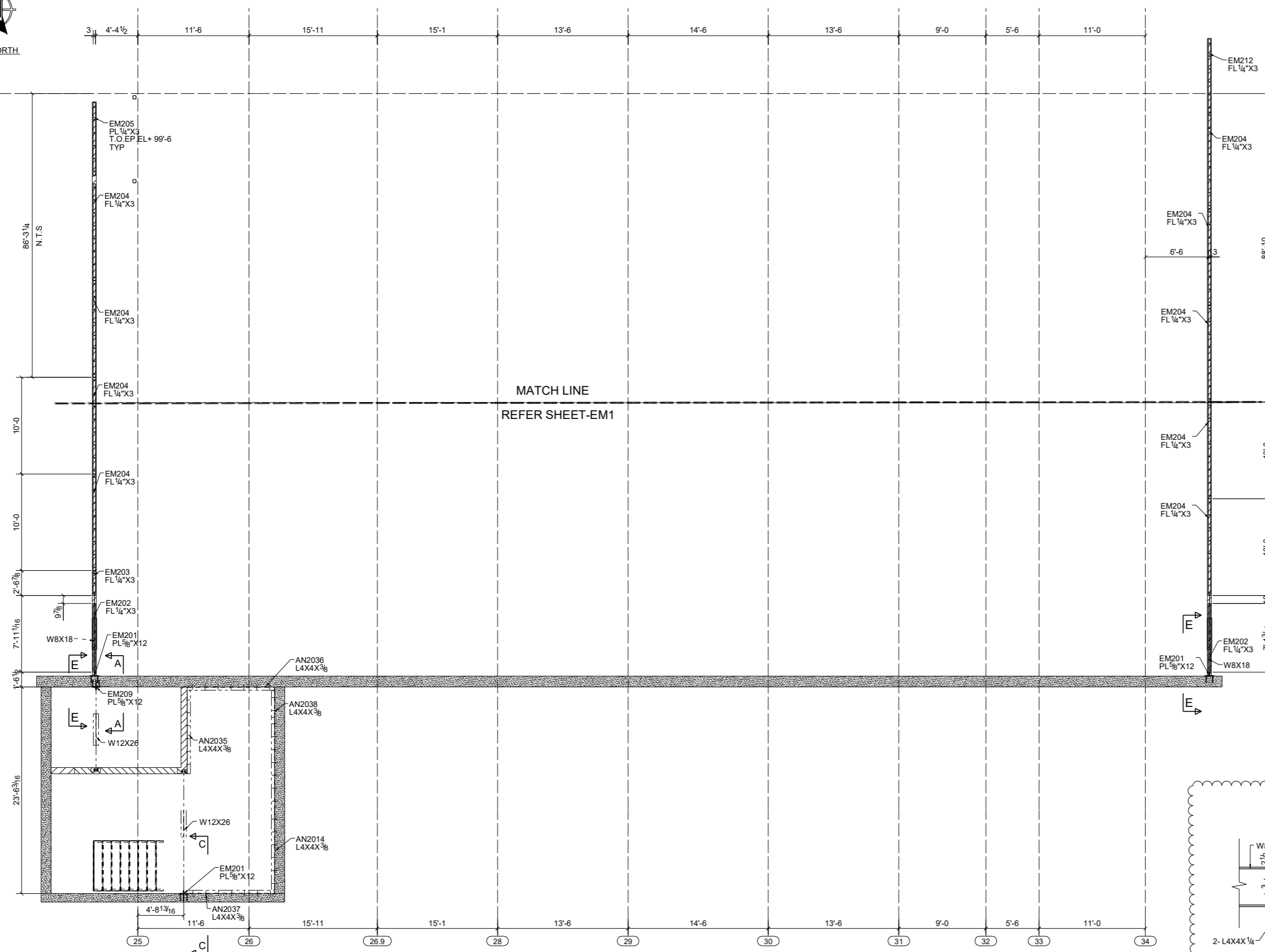




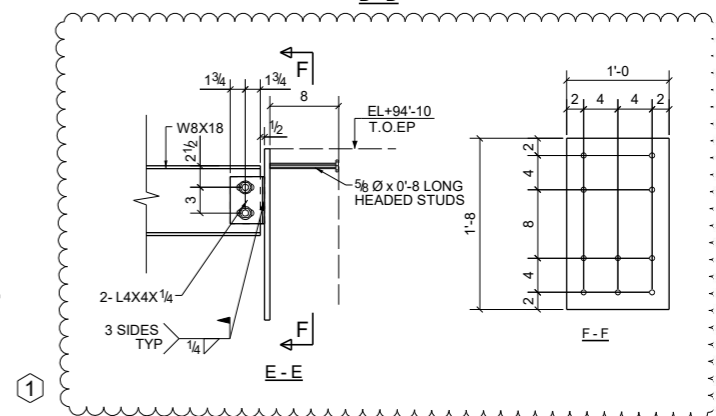
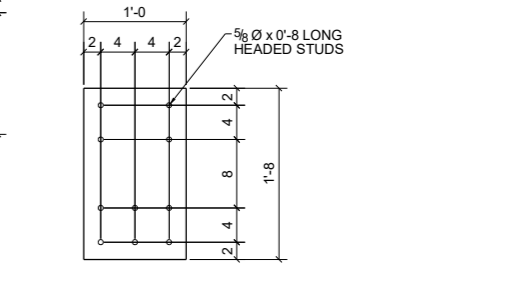
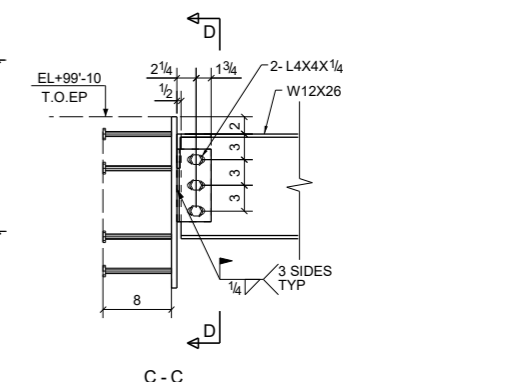
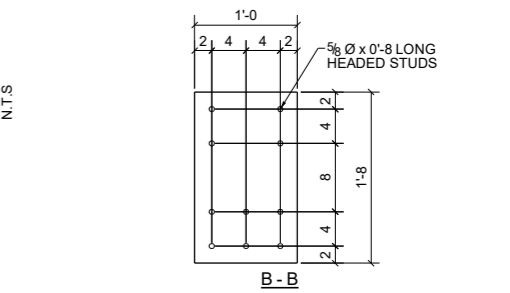
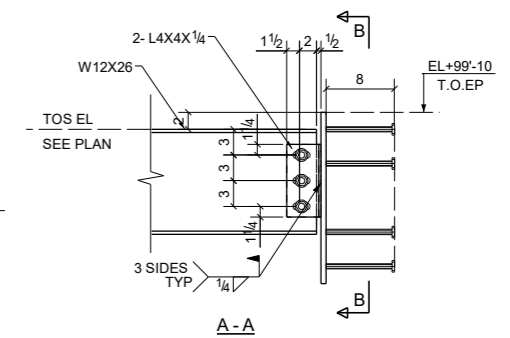
TRUE NORTH

Q



MATCH LINE
REFER SHEET-EM1

EMBED PLATE PLAN @EL+99'-6"
REF DWG. NO. S2.1C



- LEGENDS:**
- T.O.S - TOP OF STEEL
 - T.O.EP - TOP OF EMBED PLATE
 - T.O.EA - TOP OF EMBED ANGLE
 - EL+ - ELEVATION
 - T.O.PL - TOP OF PLATE
 - T.O.A - TOP OF ANGLE

APPROVER NOTE:

1 APPROVER PLEASE VERIFY AND CONFIRM THE CLOUDED EMBED PLATE DETAIL

- NOTE:**
1. BOLTS: 3/4" Ø A325N BOLTS.
 2. HOLE: 1 3/16" Ø STANDARD HOLES IN BEAM. 1 3/16" Ø x 2" HORIZONTAL SLOTS IN CLIP ANGLES.
 3. CONTINUOUS PLATEWASHERS, 5/16" THICK, WITH STANDARD HOLES SHALL BE PROVIDED AT EACH ANGLE.