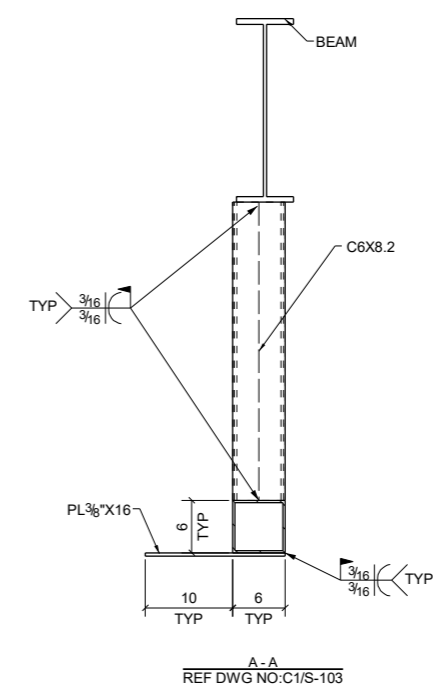
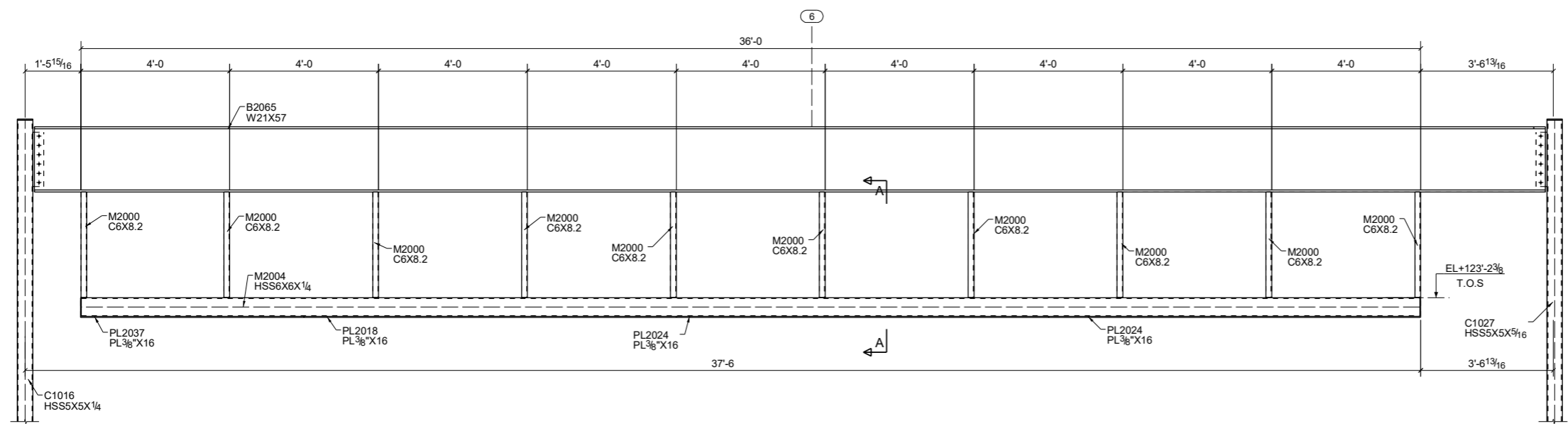


1-1  
E2



A-A  
REF DWG NO: C1/S-103

- LEGENDS:
- T.O.S - TOP OF STEEL
  - T.O.EP - TOP OF EMBED PLATE
  - T.O.EA - TOP OF EMBED ANGLE
  - EL+ - ELEVATION
  - T.O.PL - TOP OF PLATE
  - T.O.A - TOP OF ANGLE



2-2  
E2