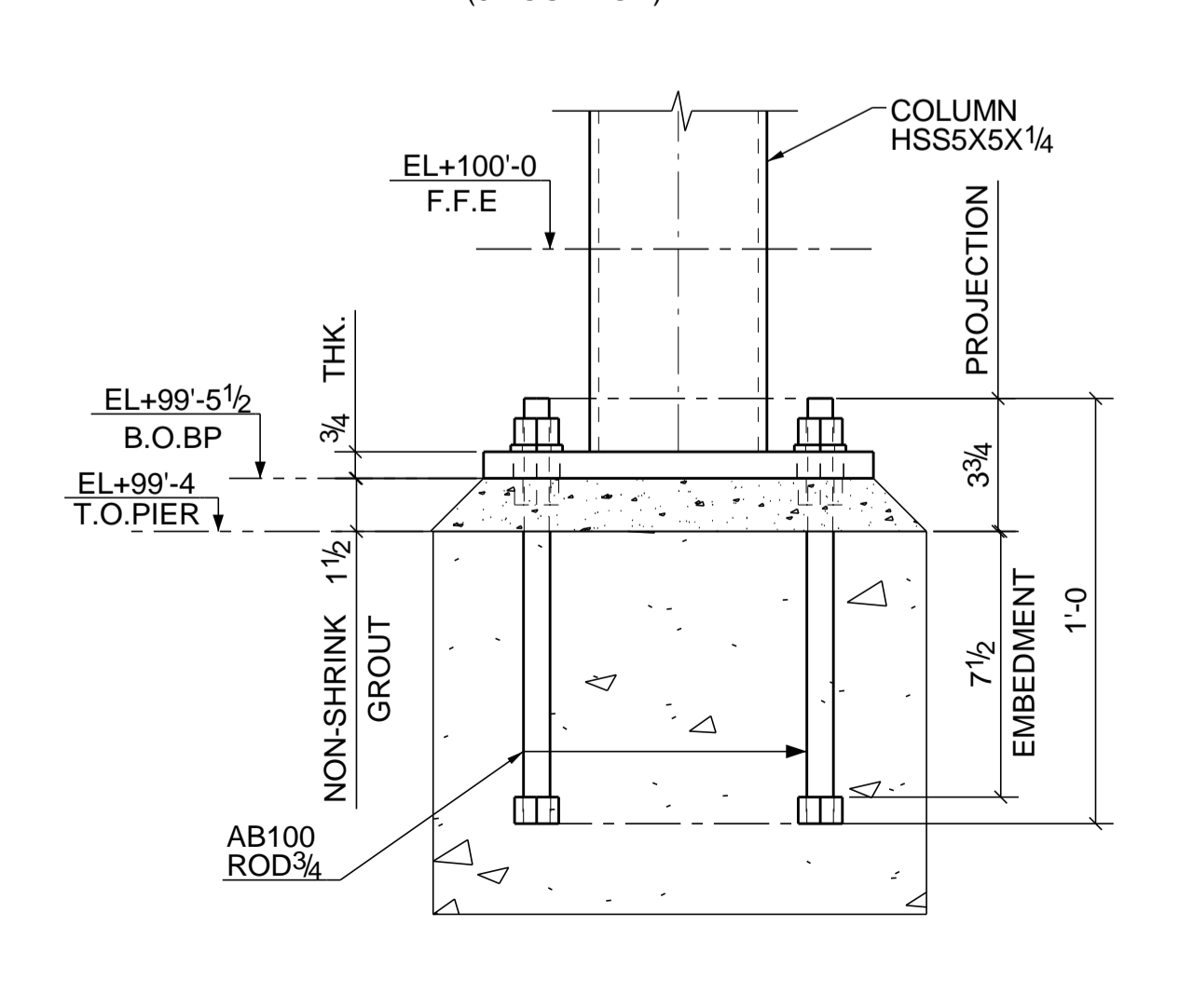
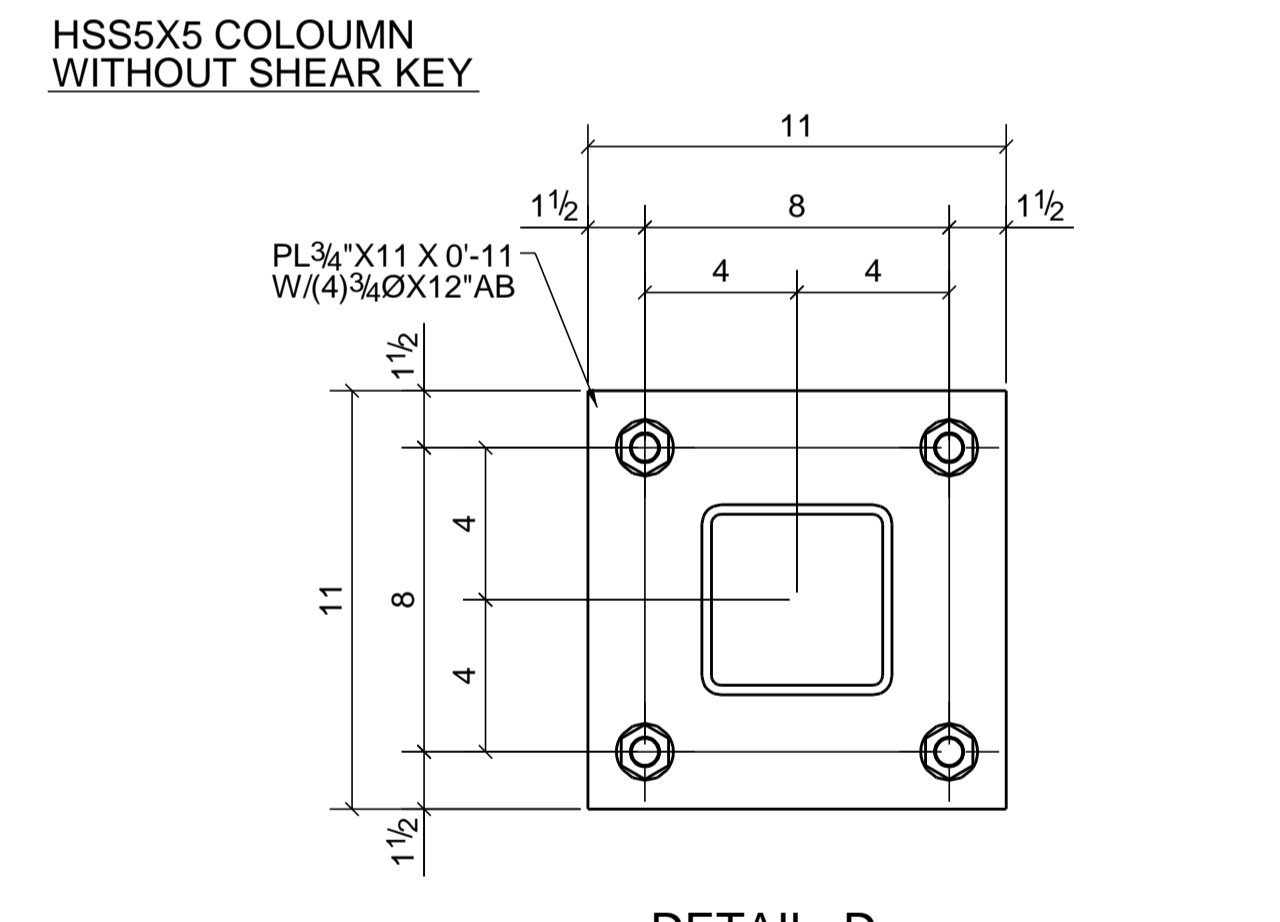
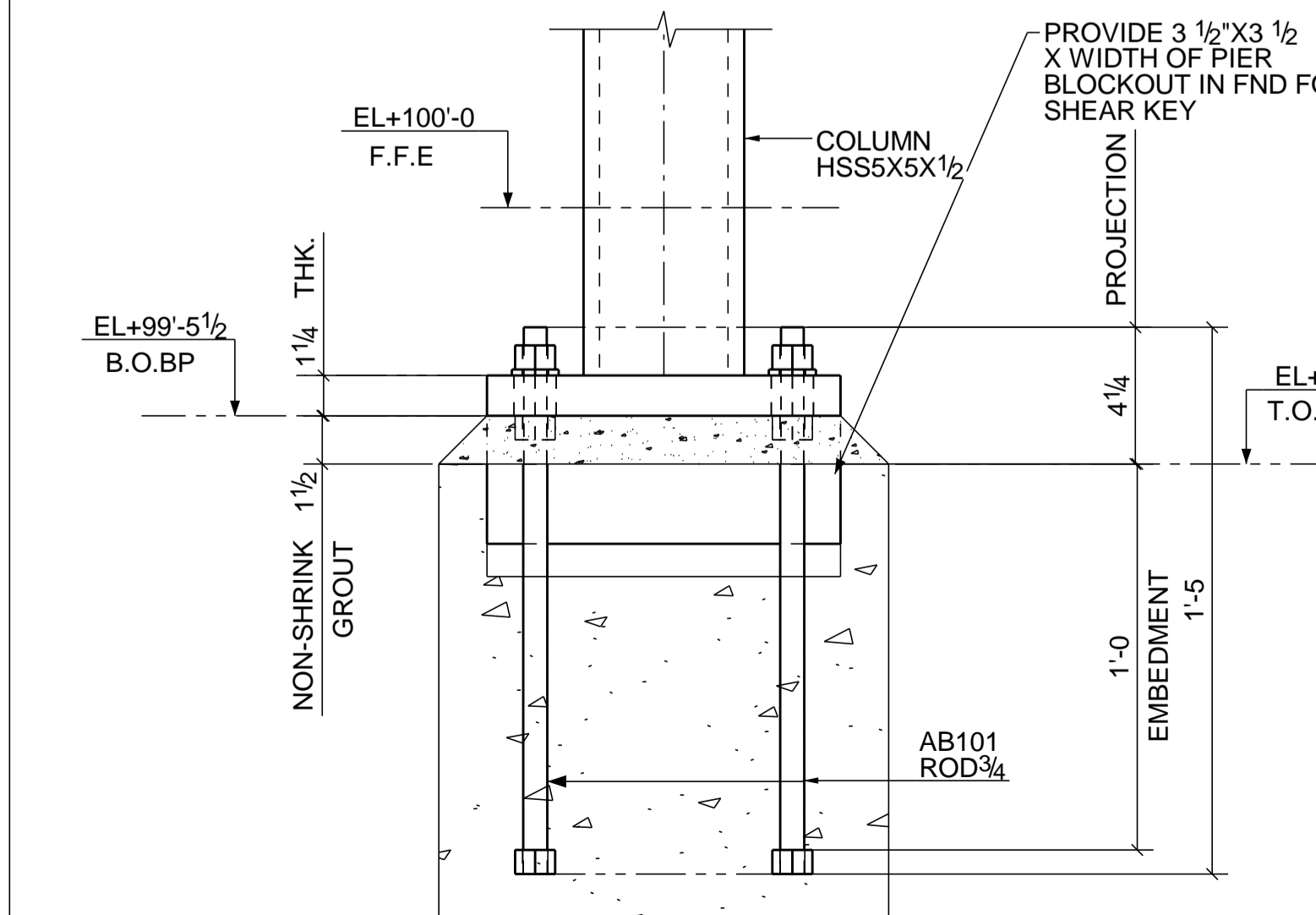
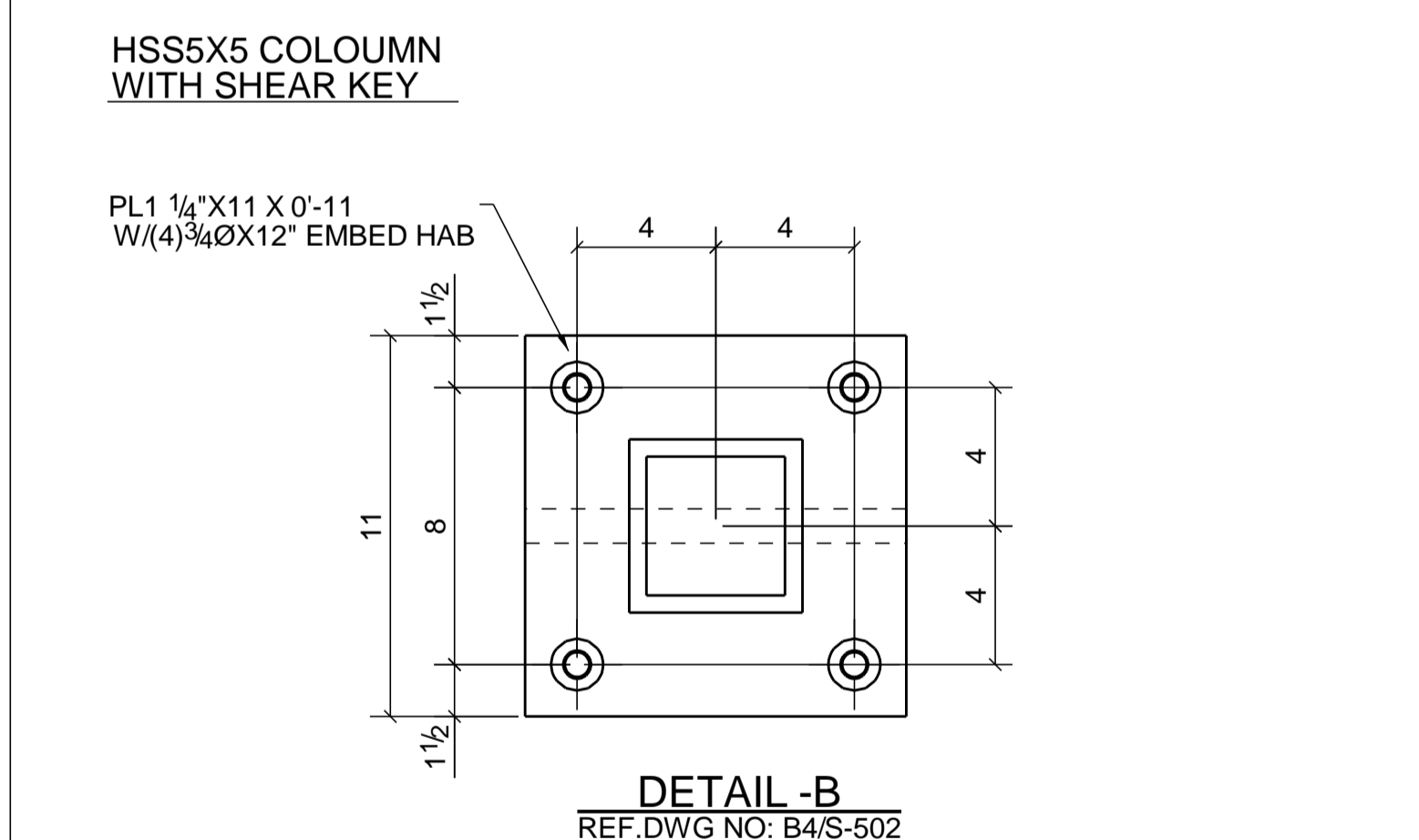
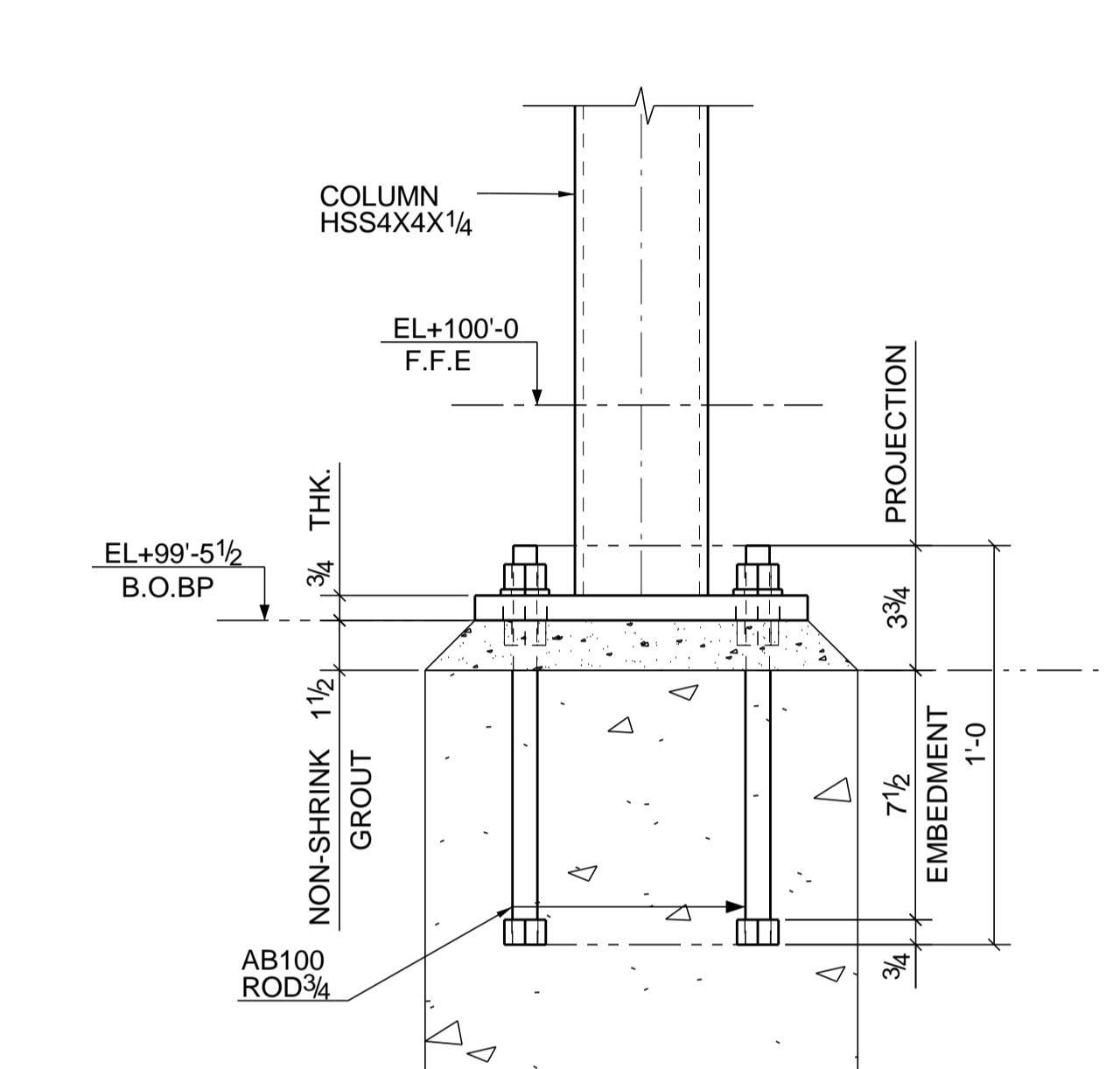
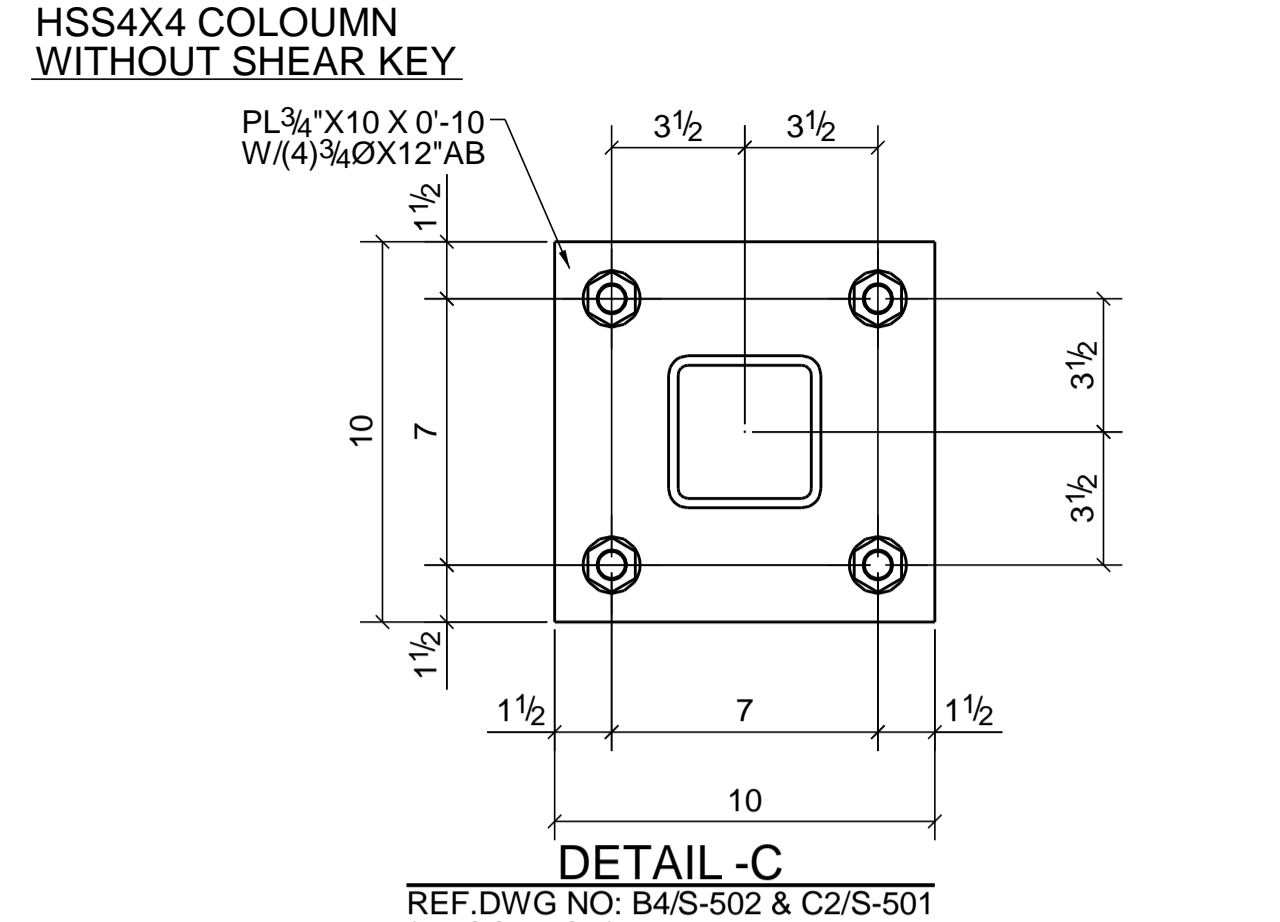
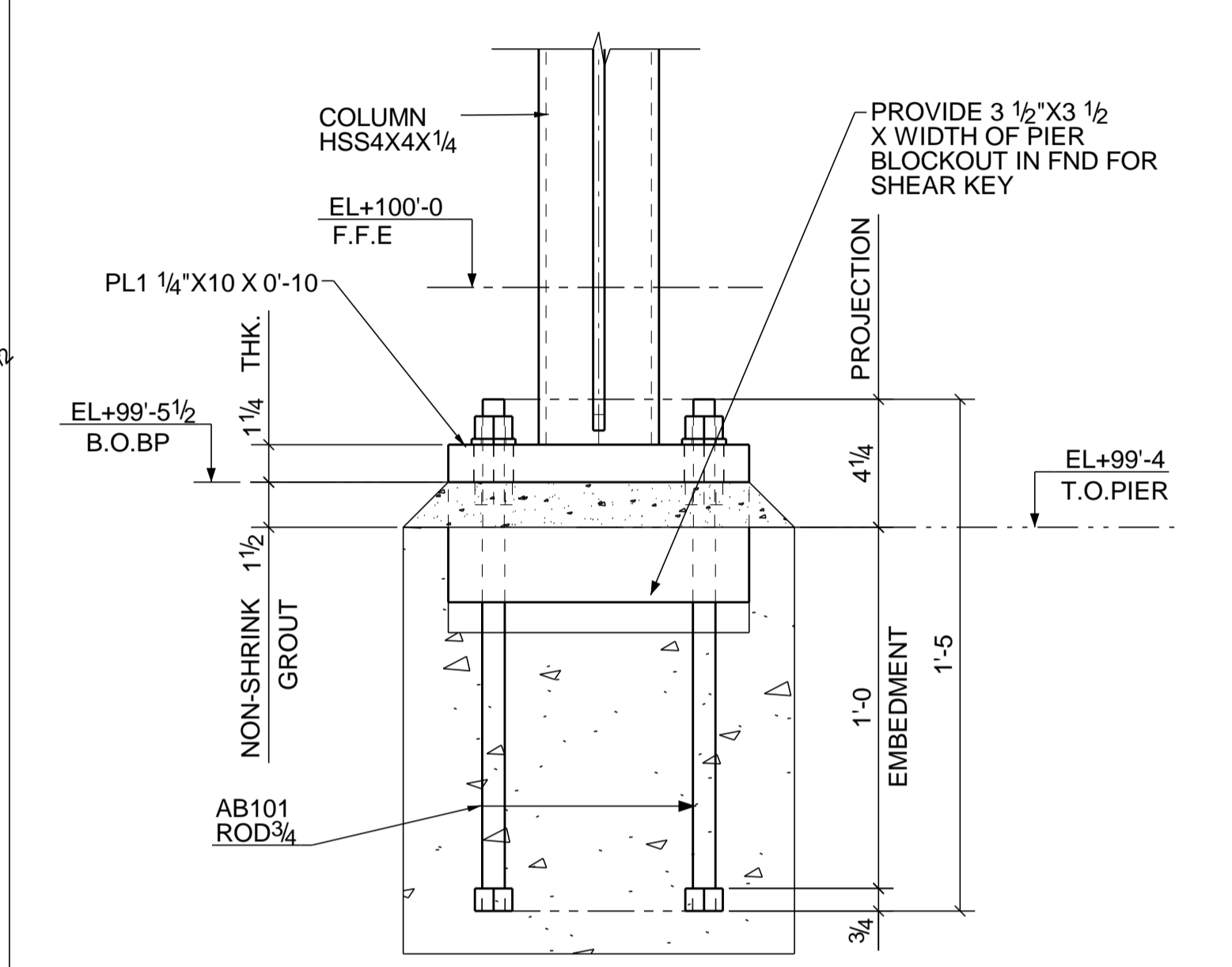
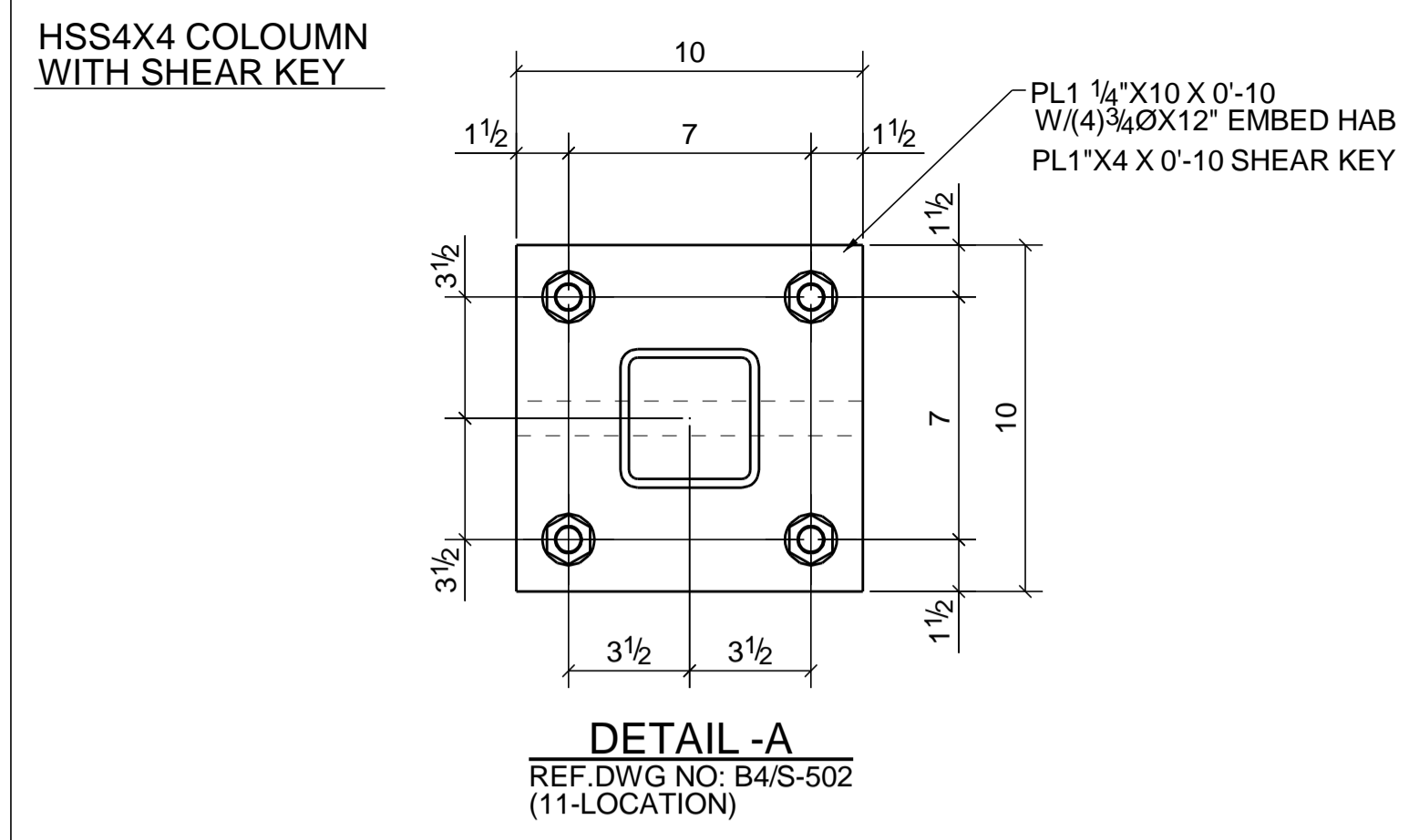


FIRST LEVEL FOUNDATION PLAN
REF.DWG. NO.S-101 AND B1/S-101



GENERAL NOTES:-
ALL BOTTOM OF BASE PLATE ELEVATION ARE W.R.T FINISHED FLOOR LEVEL (EL+100'-0")

LEGEND

EL : ELEVATION
B.O.BP : BOTTOM OF BASE PLATE
F.F.E : FINISHED FLOOR ELEVATION
T.O.PIER : TOP OF PIER
T.O.FOOTING : TOP OF FOOTING

Project Description:
South Dakota State University
Brookings, South Dakota 57006

CONTRACTOR:
Clark Drew Construction, Inc

ERECTION PLAN

DRAWN BY: SSH
DATE: 02/14/2019
S.O. 1238874
SCALE: NTS
CHECKED BY: AMT

SIoux CITY FOUNDRY CO.
801 DIVISION STREET SIOUX CITY, IA 51102
712-252-4181 800-831-0874
(FAX) 712-252-4197
www.siouxcityfoundry.com

| Rev | Description | Date |
|-----|-----------------|----------|
| A | For Approval | 11/30/18 |
| B | For Re-Approval | 12/07/18 |
| 0 | For Field Use | 02/13/19 |
| | | |
| | | |
| | | |
| | | |
| | | |
| | | |
| | | |